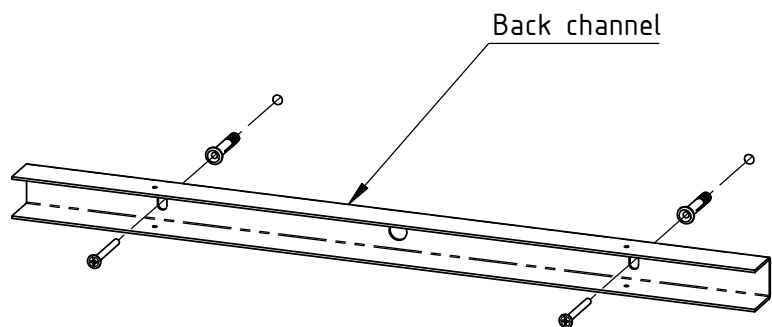
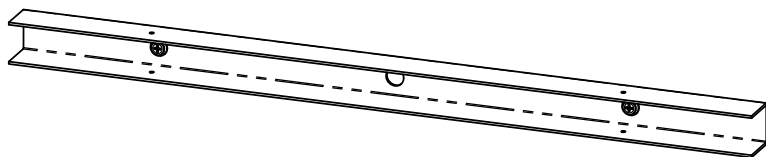


1) Mark axes of lower and upper wall mount Back channels on the wall - per dimensions noted on the installation drawing.

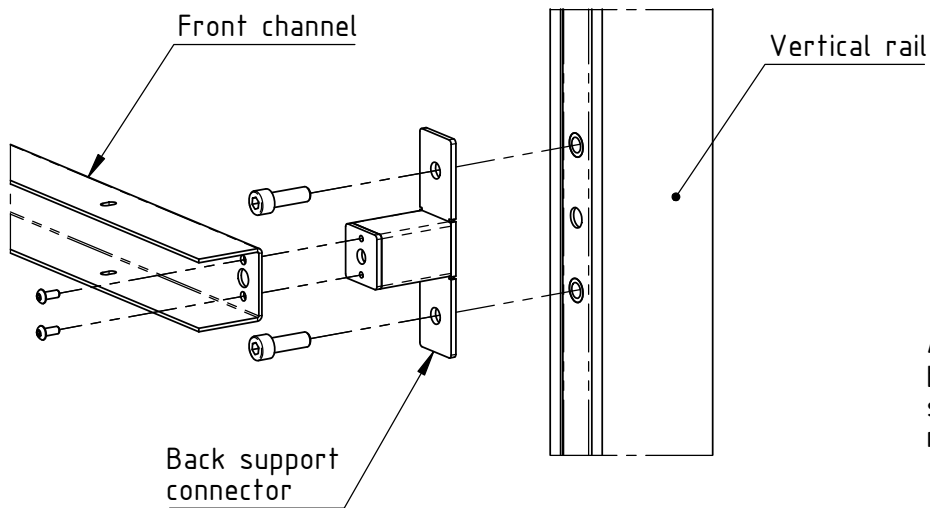
2) Drill upper and lower holes in a wall by following hole pattern of the Back channel part - use corresponding Back channel as template.



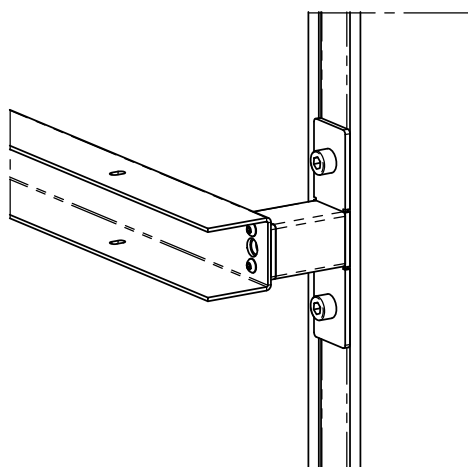
3) Install both upper and lower Back channels to the wall with supplied dowels and screws ensuring the proper horizontal position.



\*\*\* For models with downlight console, ensure the power cable is available within the upper Back channel.

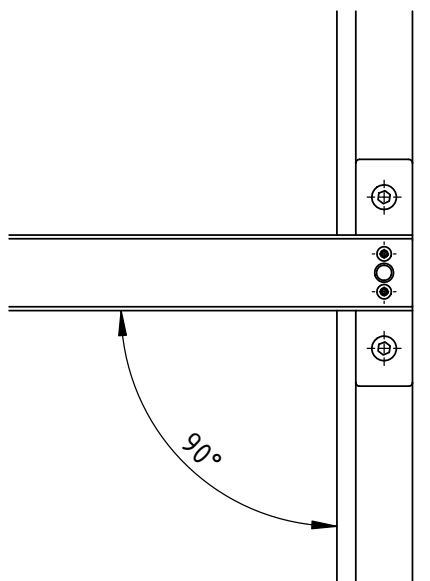


4) On the table top - fasten both upper and lower Back support connectors to Vertical rails with supplied screws.

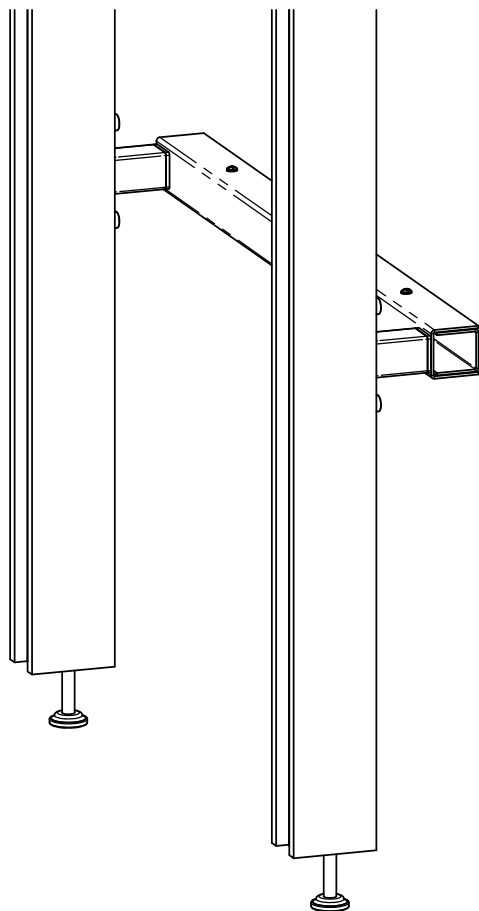
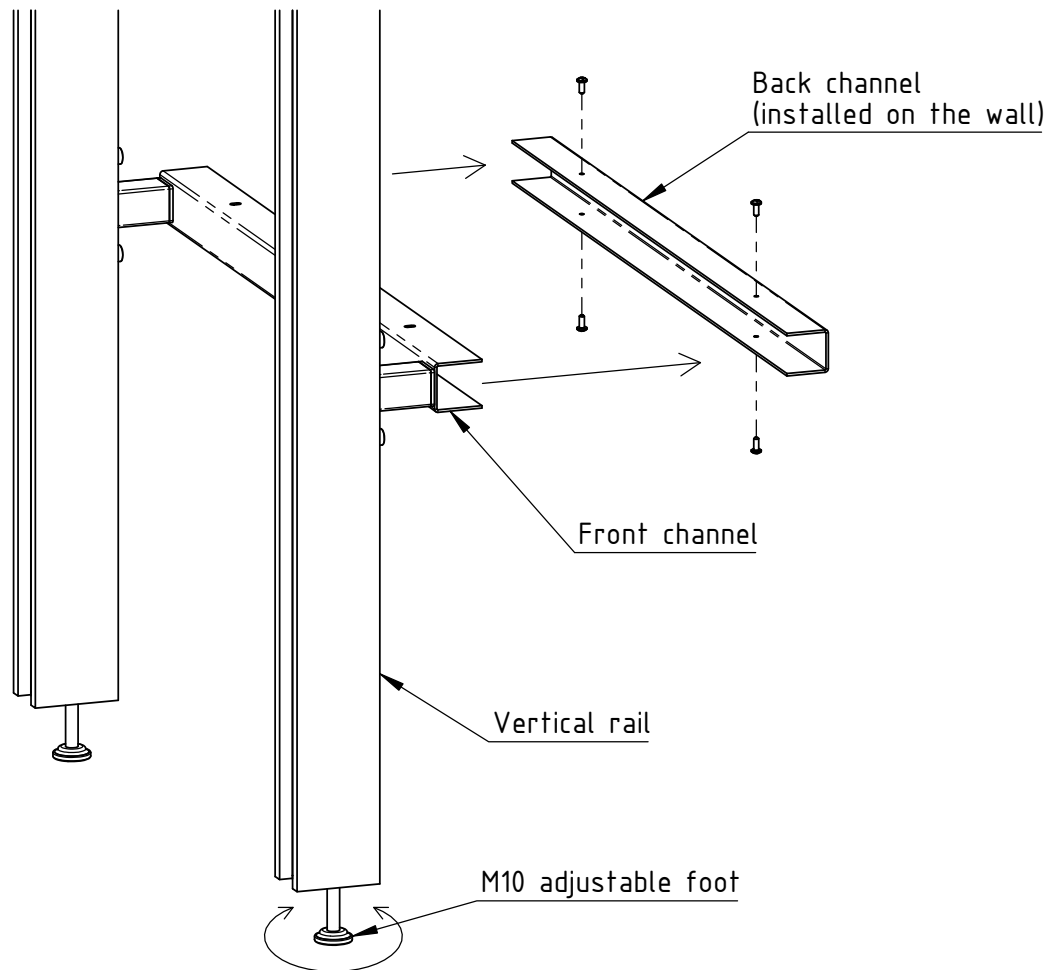


5) Install the Front channels to both upper and lower Back support connectors with supplied screws.

\*\*\* Ensure each Vertical rail is perpendicular to both upper and lower Front channels.



\*\*\* For models with downlight console, ensure the power cable is available within the Front channel.



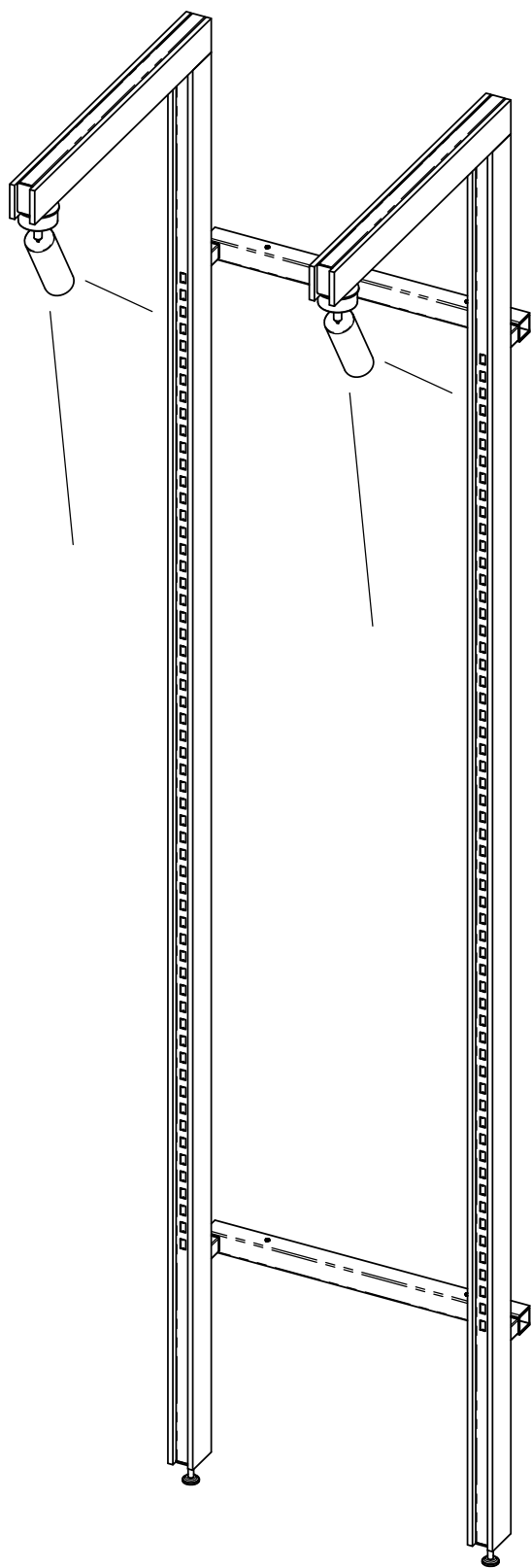
6) Position Vertical rails - Back supports - Front channels assembly to the Back channels.

\*\*\* Adjust if necessary.

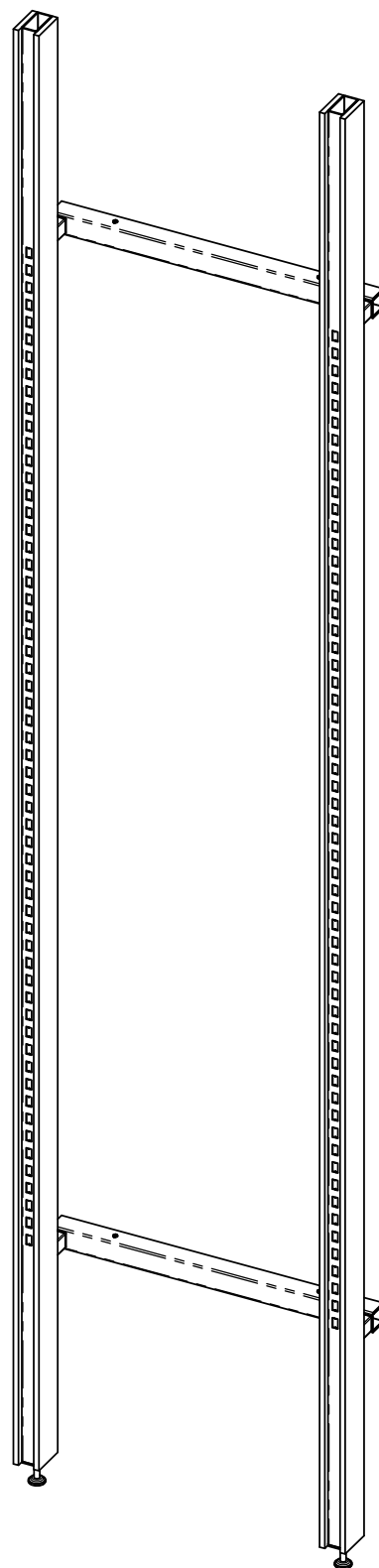
\*\*\* For models with downlight console, connect power cables from Front channels to cable in Back channel.

7) Fit and fasten both Upper and Lower Front channels to the Back channels with supplied screws.

8) Adjust all M10 feet of the Vertical rails so they set firmly against the floor.



Model with downlight console



Model without downlight console