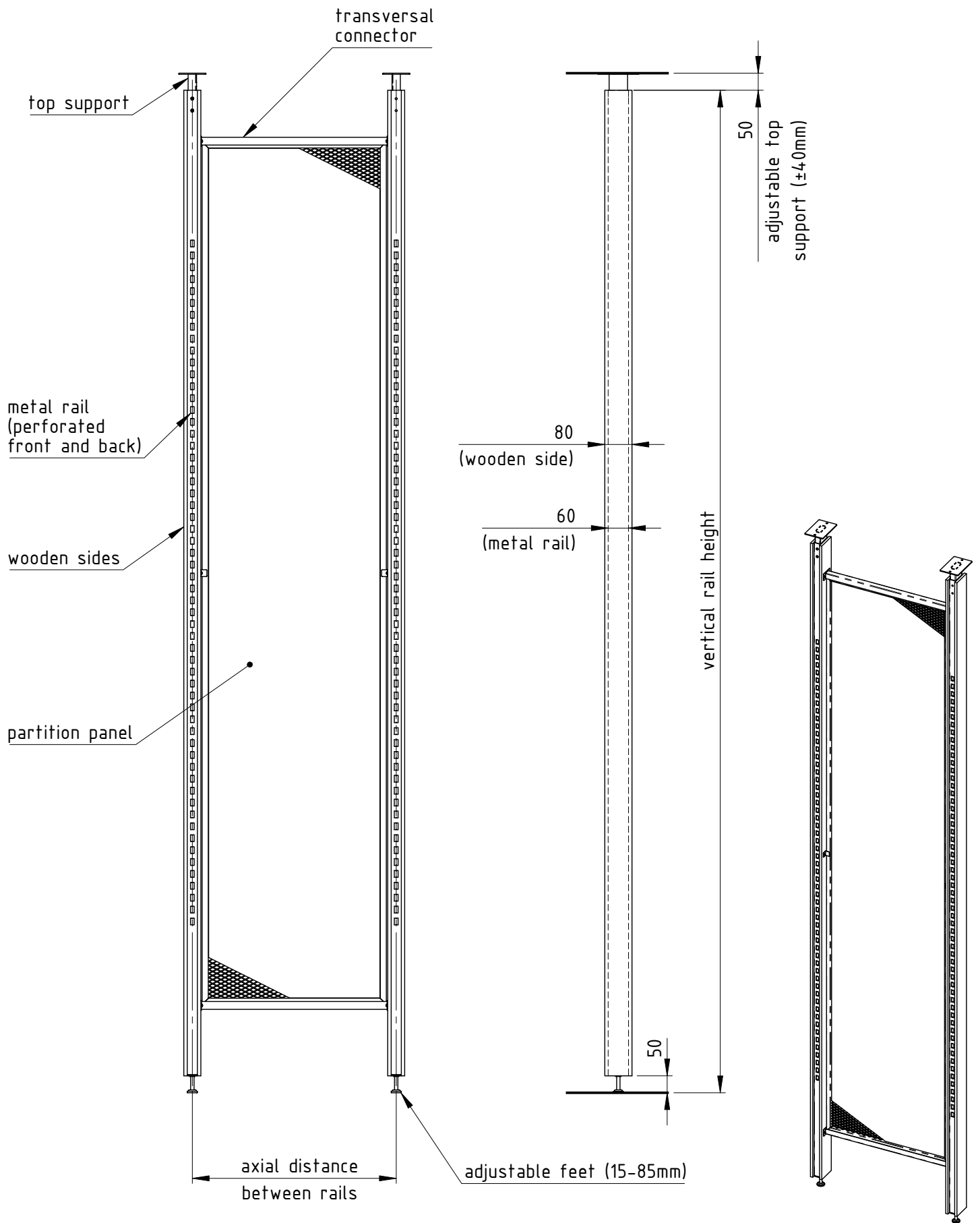


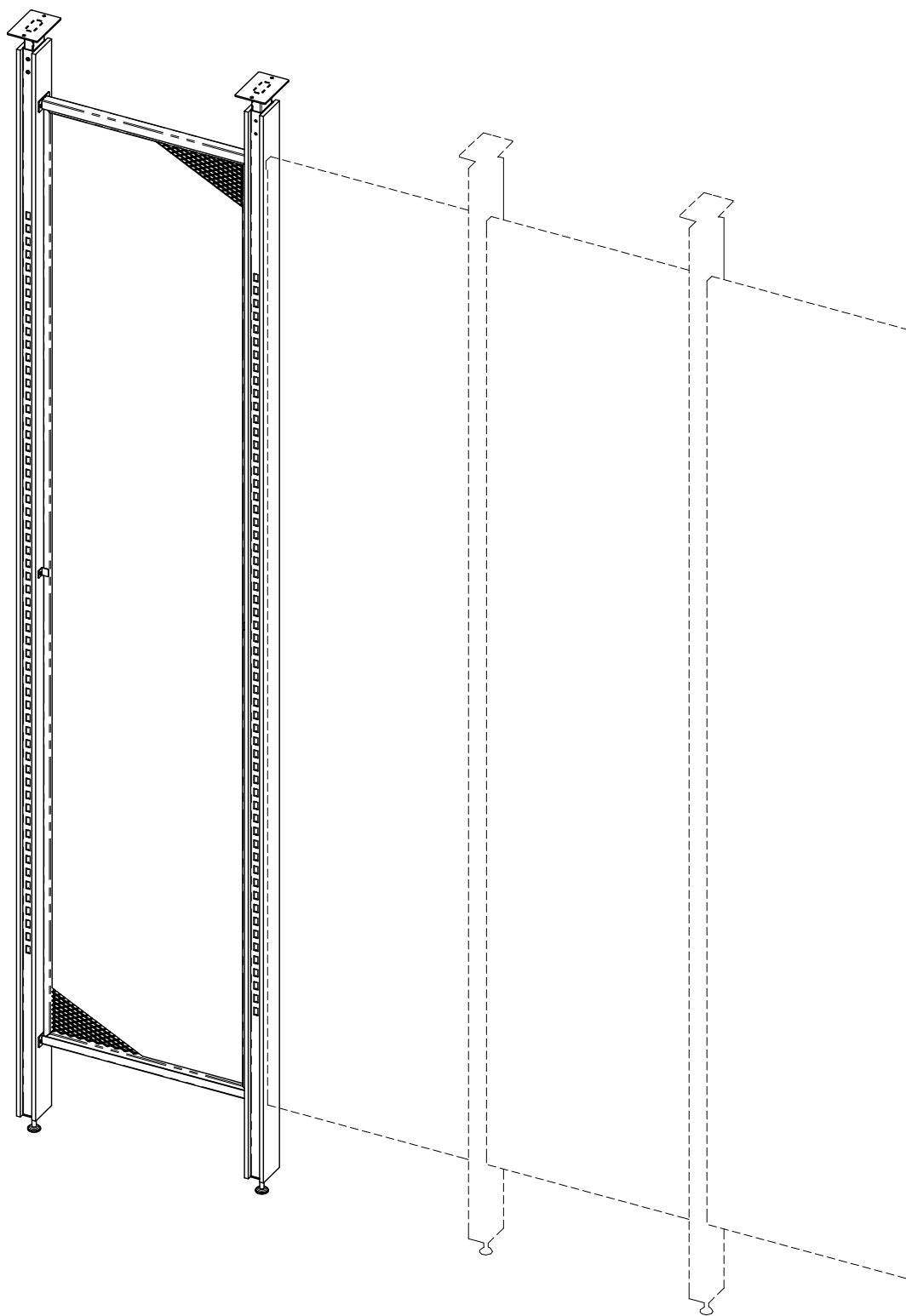
ALLUX
www.al-lux.ba

Shelving partition system
One system - many options

SPS - 2950 - MM - WS - 600 - 3 - 1
[1] [2] [3] [4] [5] [6] [7]

- [1] SPS : Shelving Partition-mount System
- [2] 2600 - 2950 : Vertical rail height (in millimeters measured from floor).
2950mm vertical rail supplied as a standard. Heights
from 2600 to 2950mm available.
- [3] MM : Metal mesh partition
WB : Wood board partition
- [4] WS : Option with wooden sides.
X : Option without wooden sides.
- [5] 600 or 800 : Vertical rails axial distance in millimeters.
- [6] 2 or more : Number of vertical rails
- [7] Surface finish options:
1 : Raw/unfinished
2 : Black (RAL 9005 matte)
3 : White (RAL 9010 matte)
4 : Anthracite (RAL 7016 matte)





- Two or more rails -



www.al-lux.ba

Opis / Description:

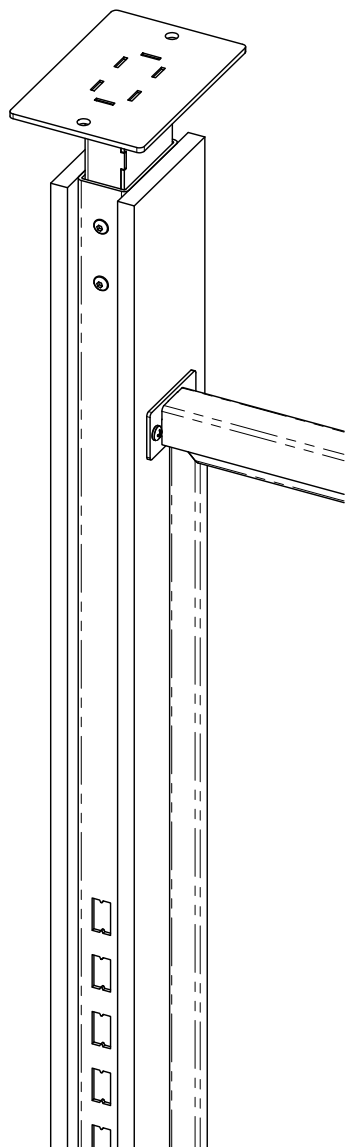
Dužina pregrade / Partifion lenght

Broj dijela / Part Number:

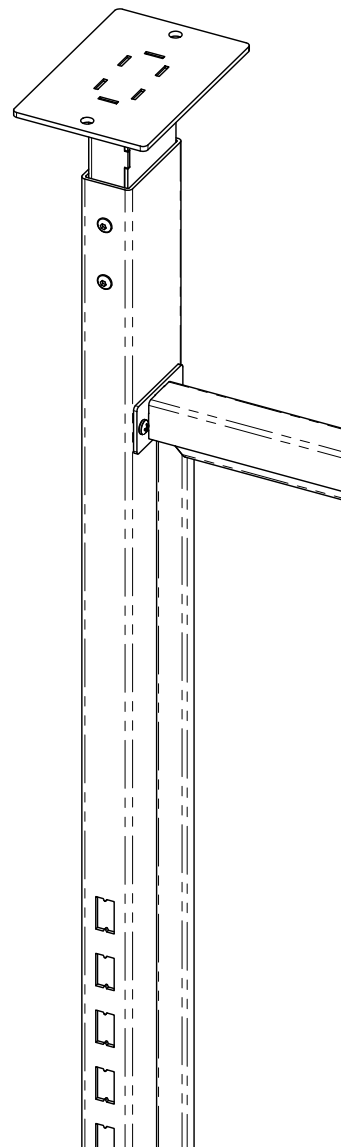
Tel: +387 36 577-035

email: info@al-lux.ba

Put za Aluminij bb, 88000 Mostar, Bosnia and Herzegovina

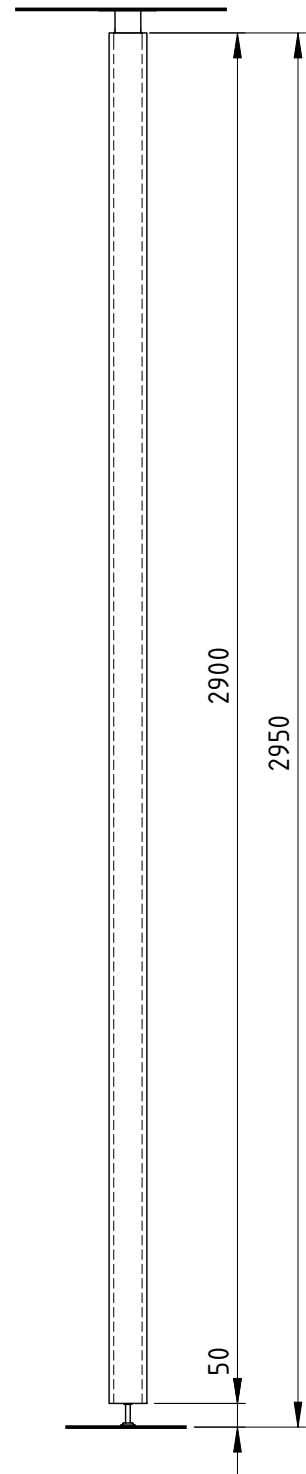
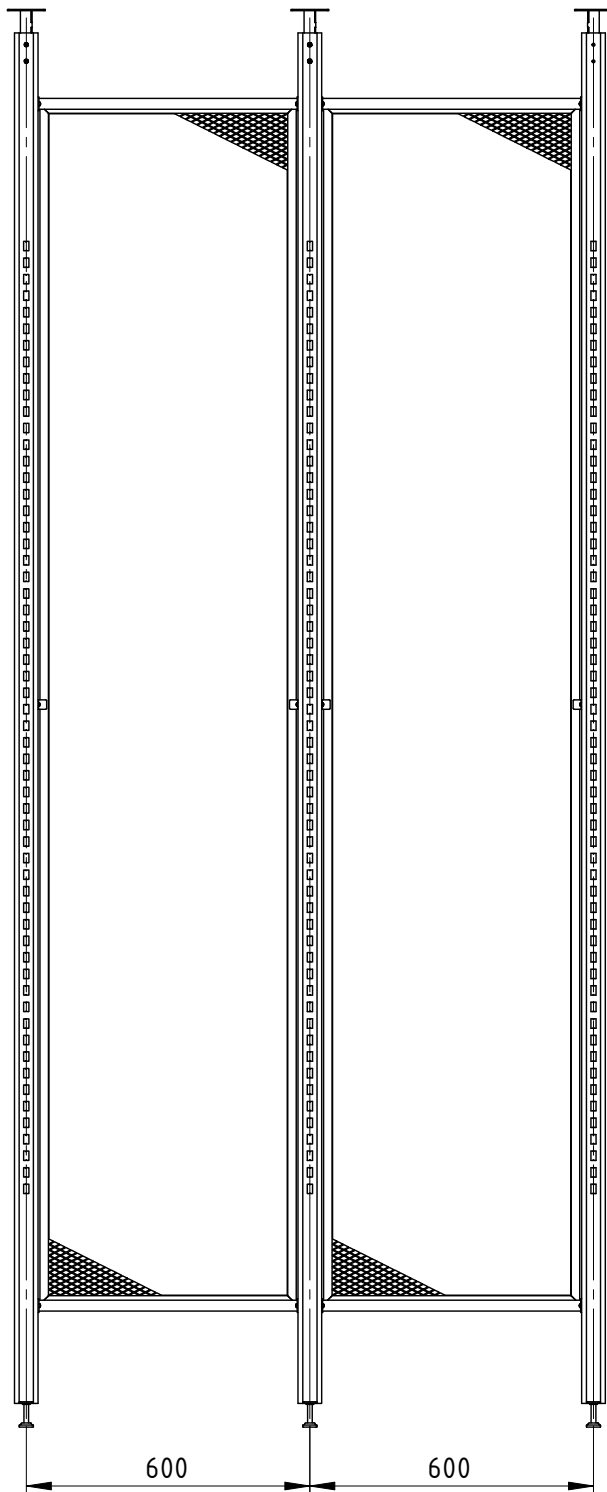


With wooden sides



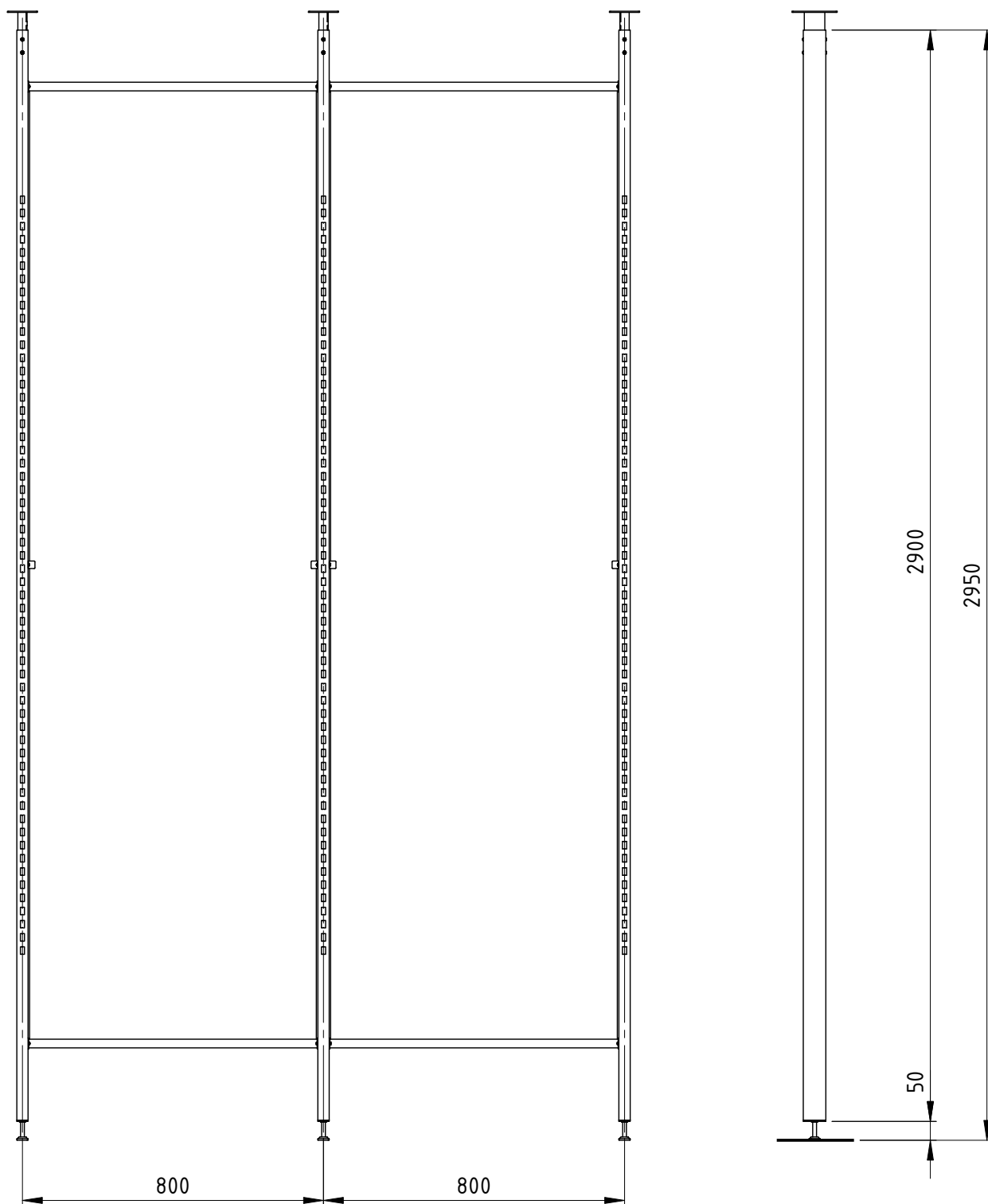
Without wooden sides

Wood material - as per client selection.



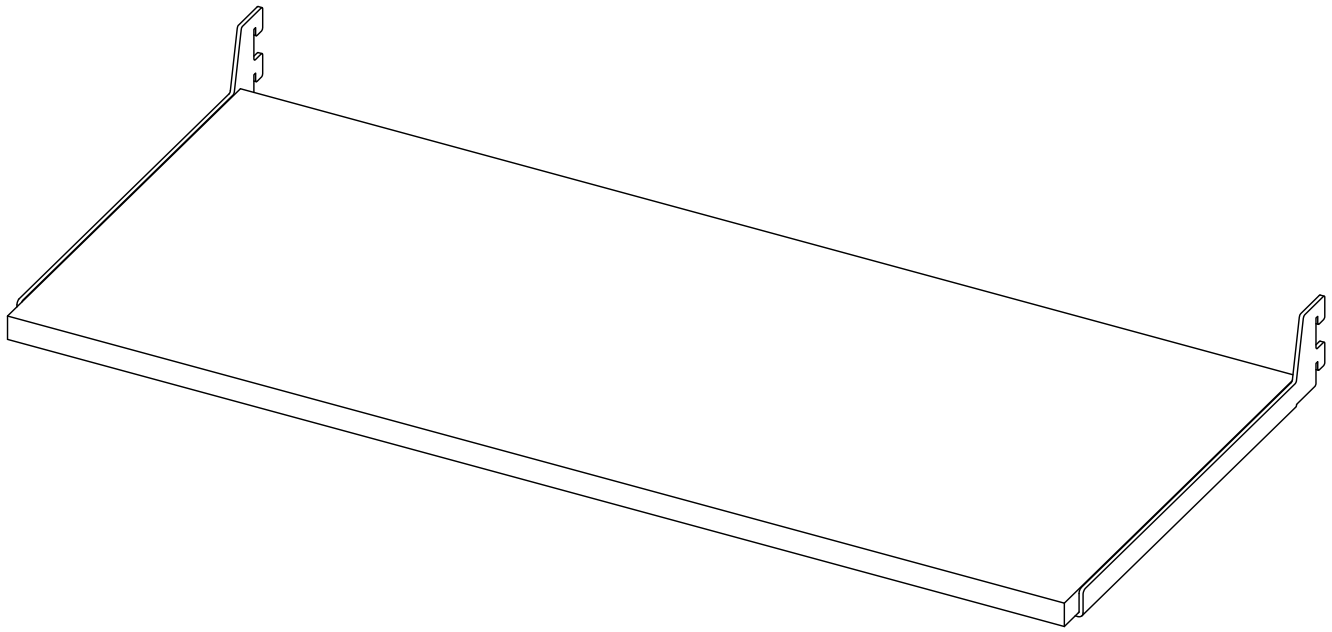
- SPS : Shelving Partition System
- 2950 : Vertical rail height 2950mm
- MM : Metal mesh partition panel
- WS : With wooden sides
- 600 : Vertical rails axial distance 600mm
- 3 : Three vertical rails
- 2 : Black surface finish (RAL 9005 matte)

EXAMPLE 1

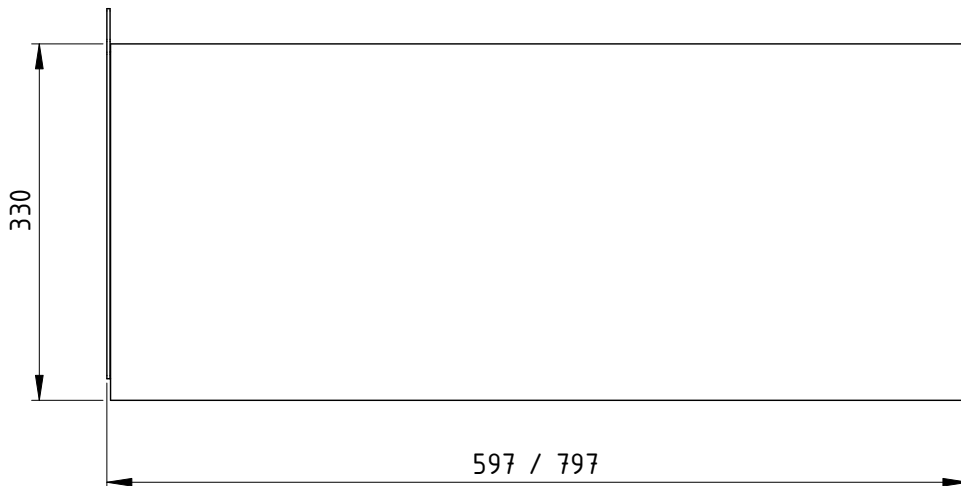
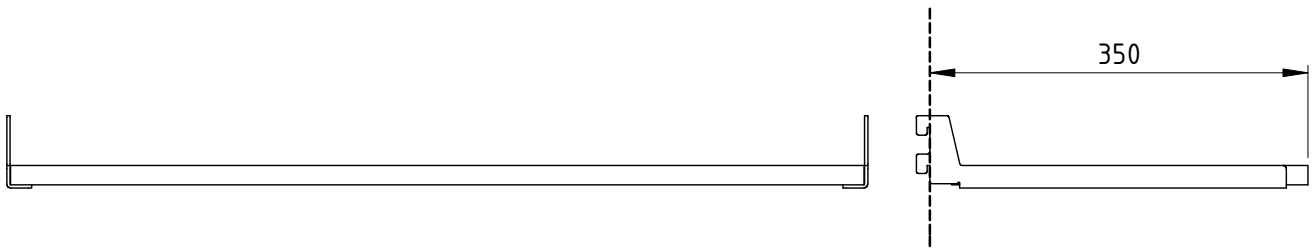


- SPS : Shelving Partition System
- 2950 : Vertical rail height 2950mm
- WB : Wood board partition panel
- X : Without wooden sides
- 800 : Vertical rails axial distance 800mm
- 3 : Three vertical rails
- 3 : White (RAL 9010 matte)

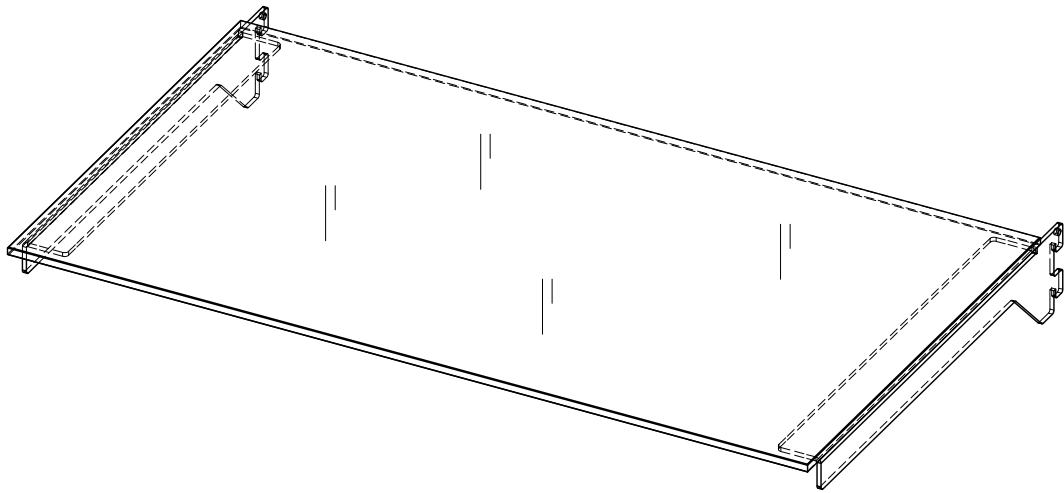
EXAMPLE 2



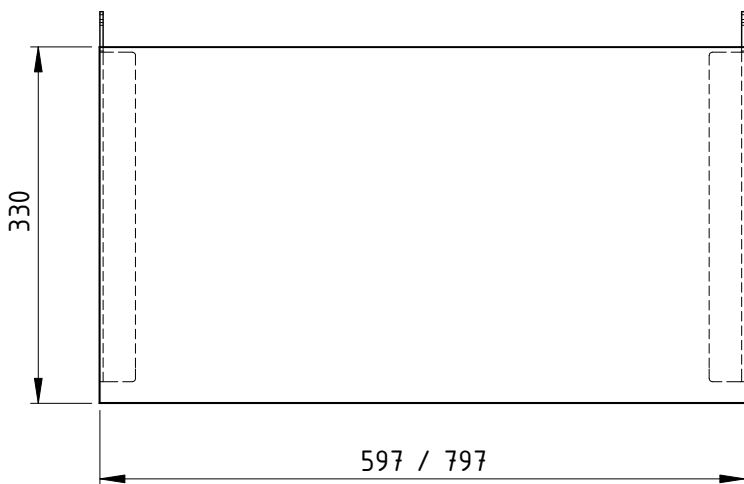
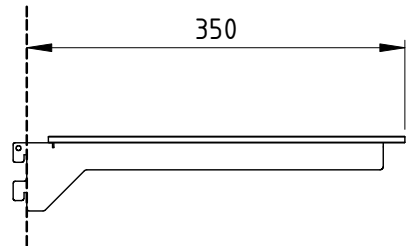
- Wood shelf -

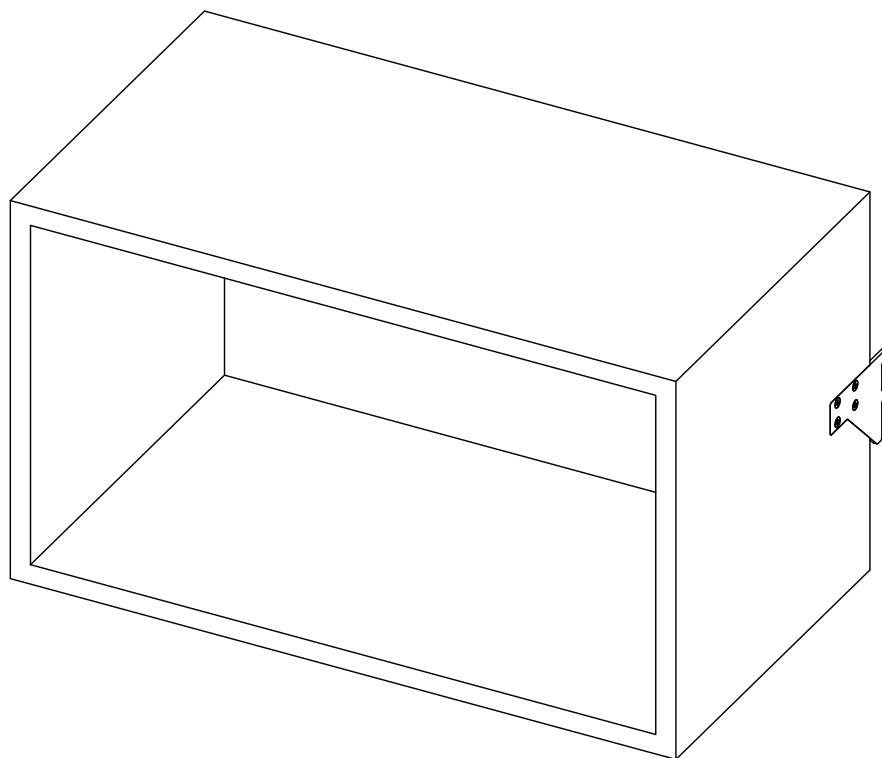


Wood material as per client's request.

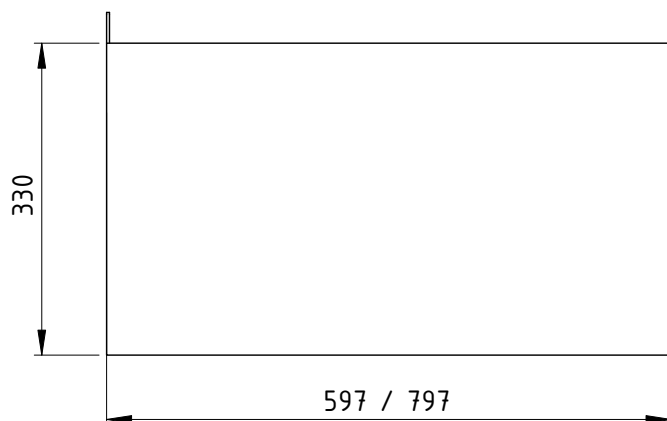
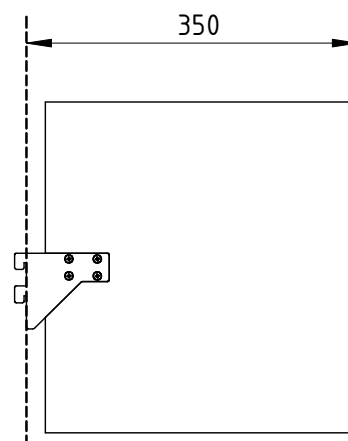
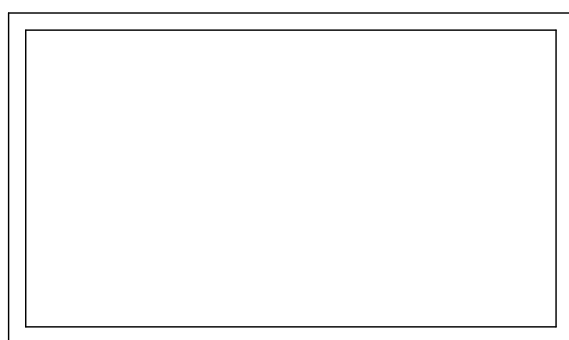


- Glass shelf -

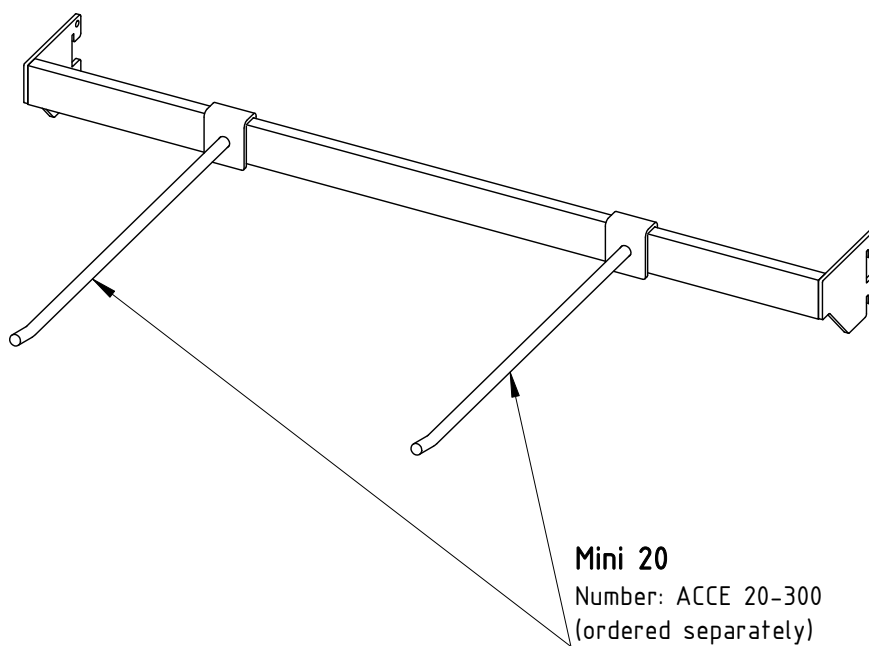




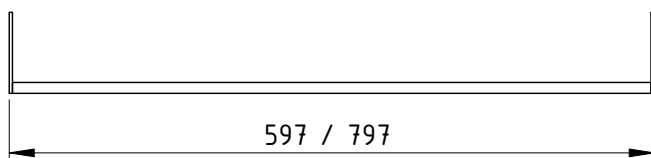
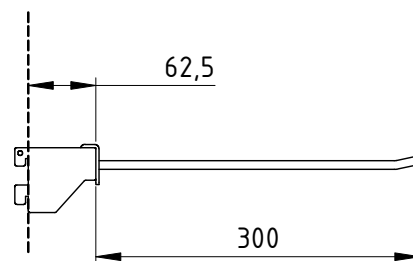
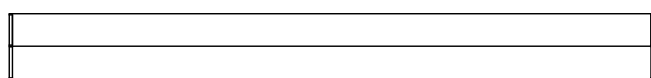
- Wood box shelf -

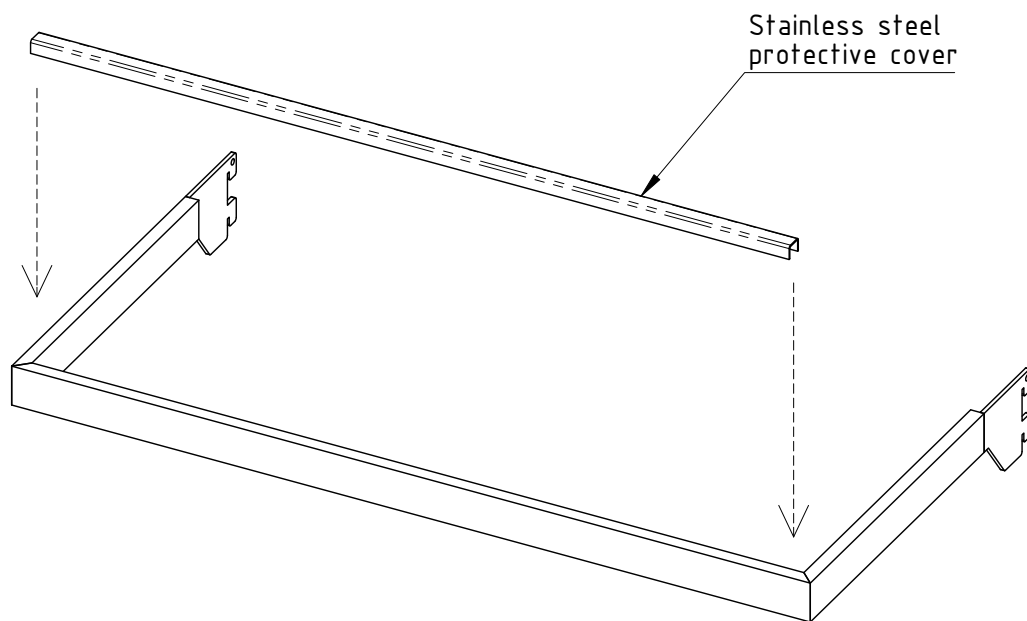


Wood material as per client's request.



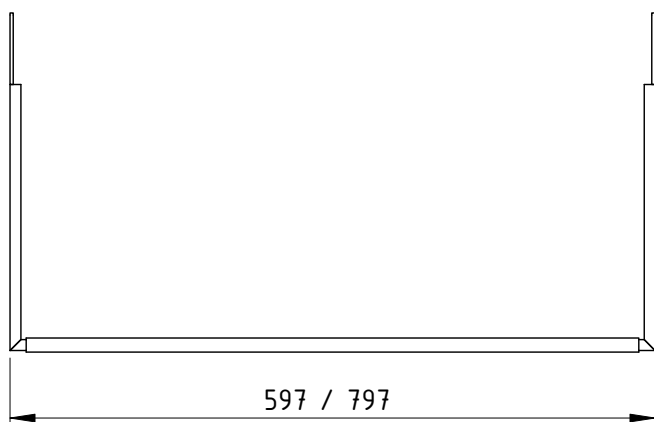
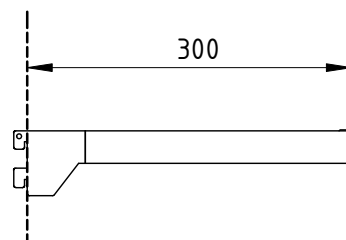
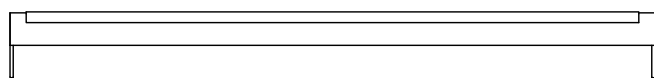
- Hanger Support 1 -

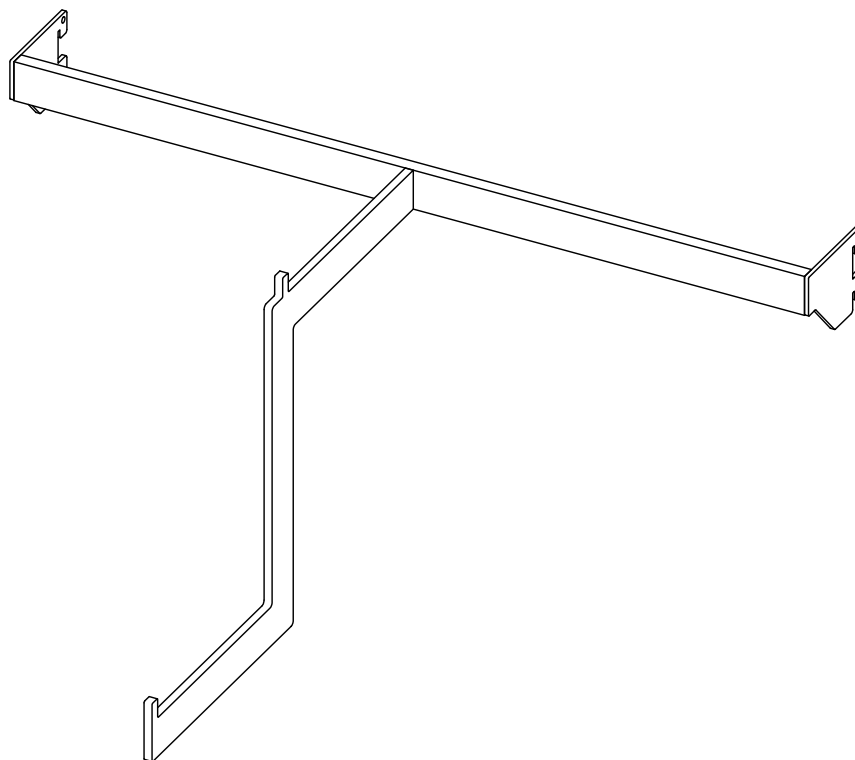




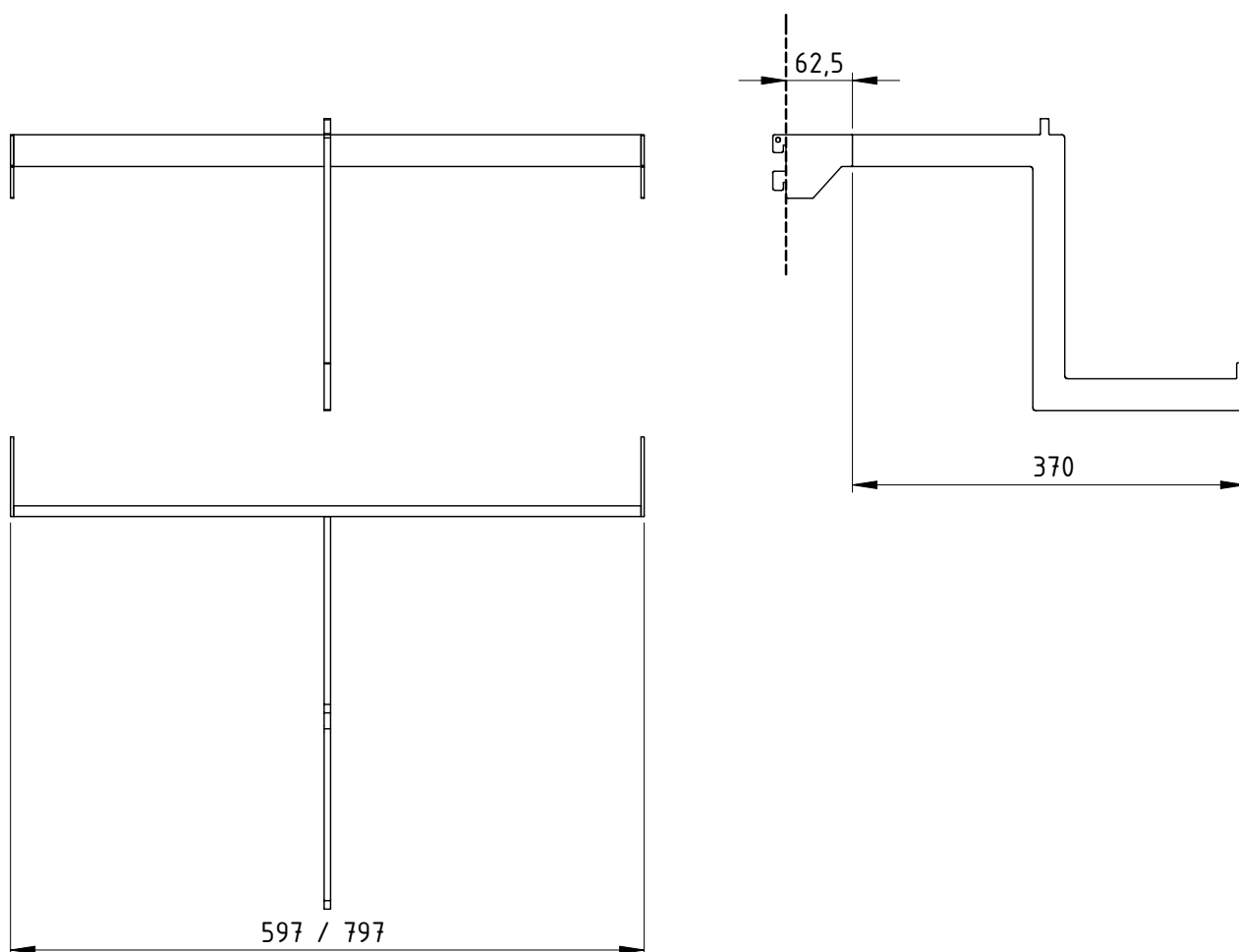
Stainless steel protective cover

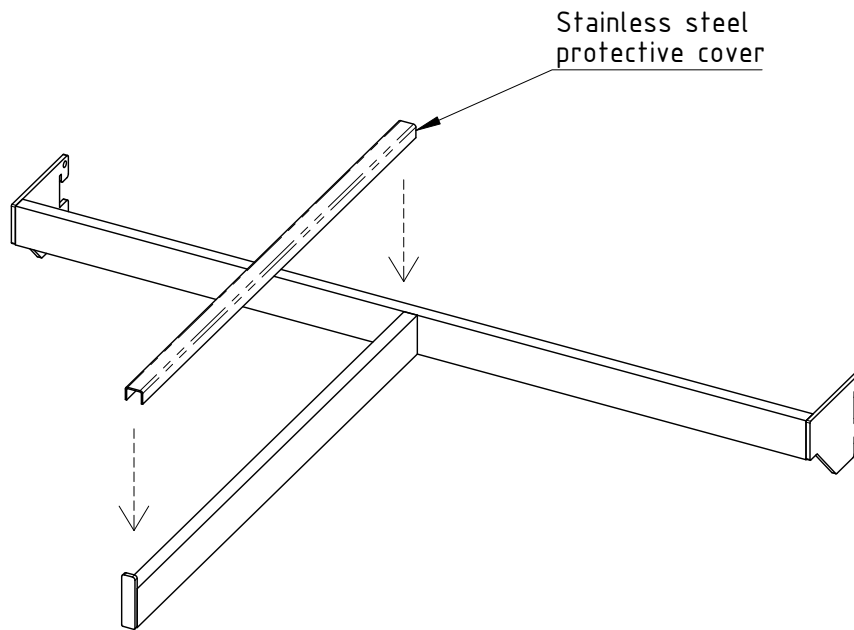
- Hanger Support 2 -





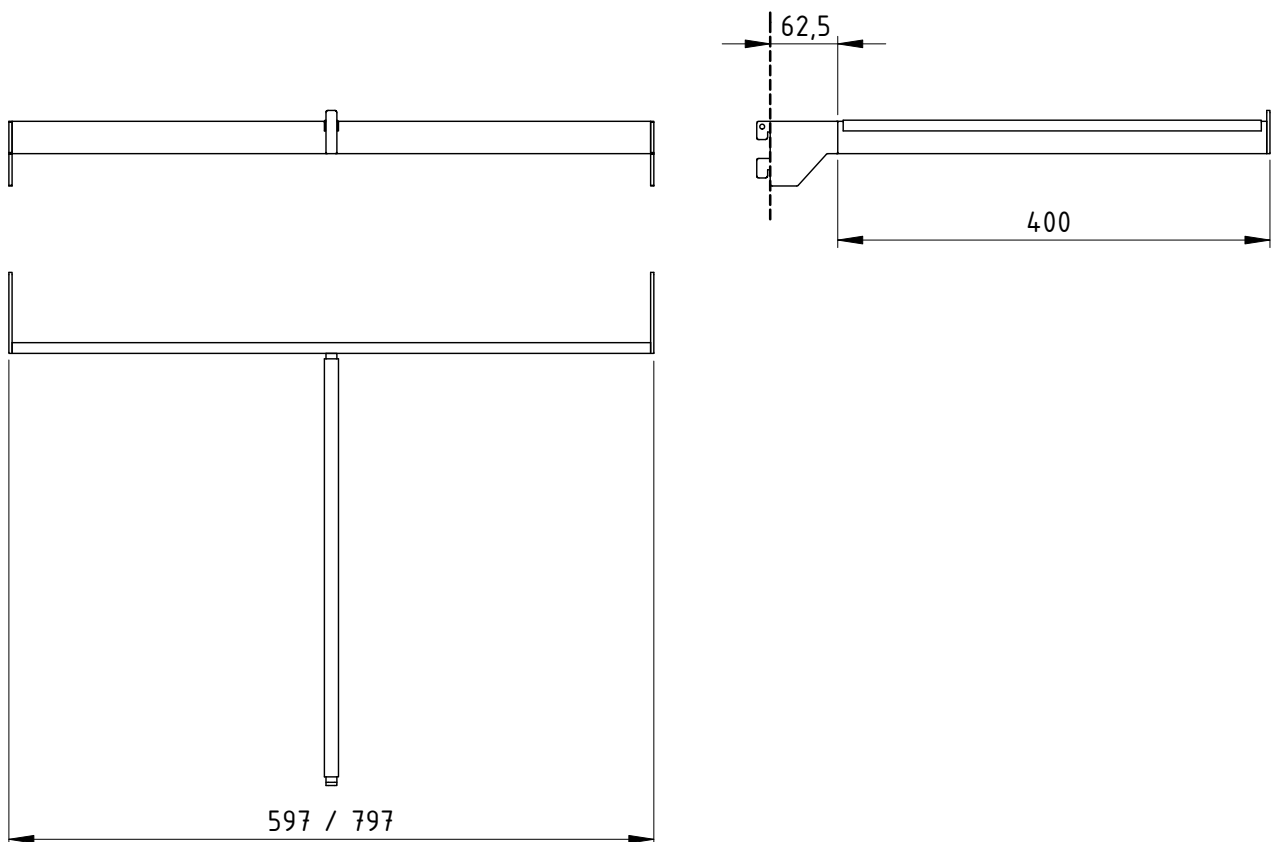
- Hanger Support 45 -

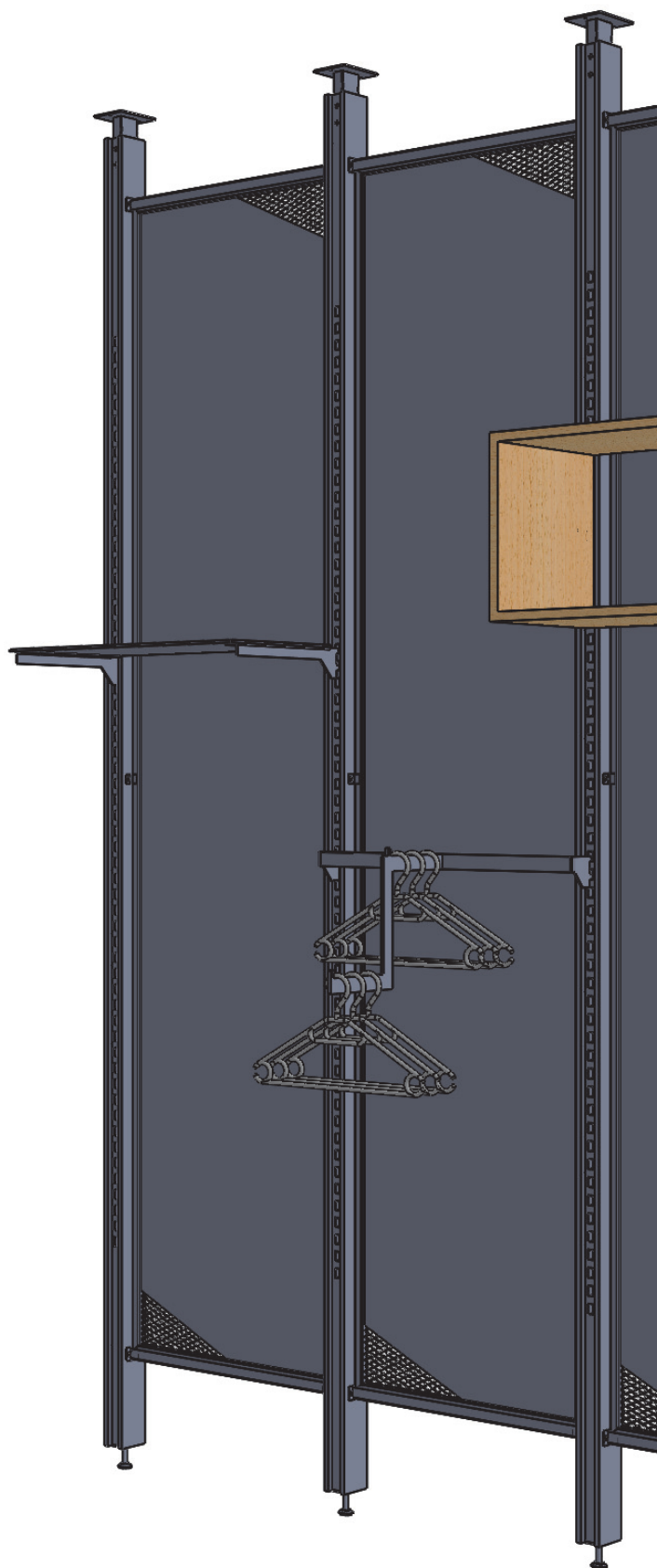
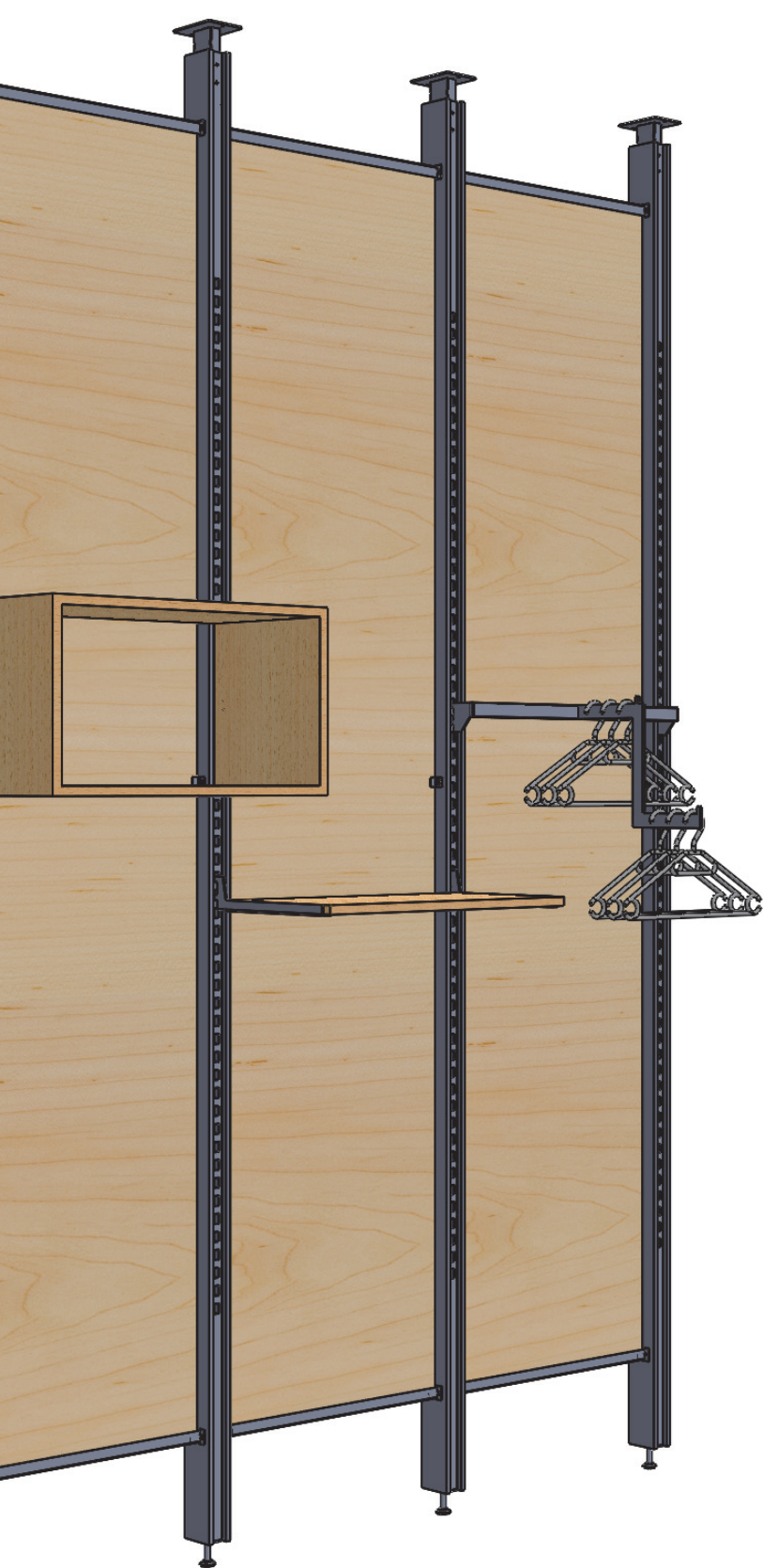




Stainless steel protective cover

- Hanger Support 46 -





Shelving partition system
One system - many options