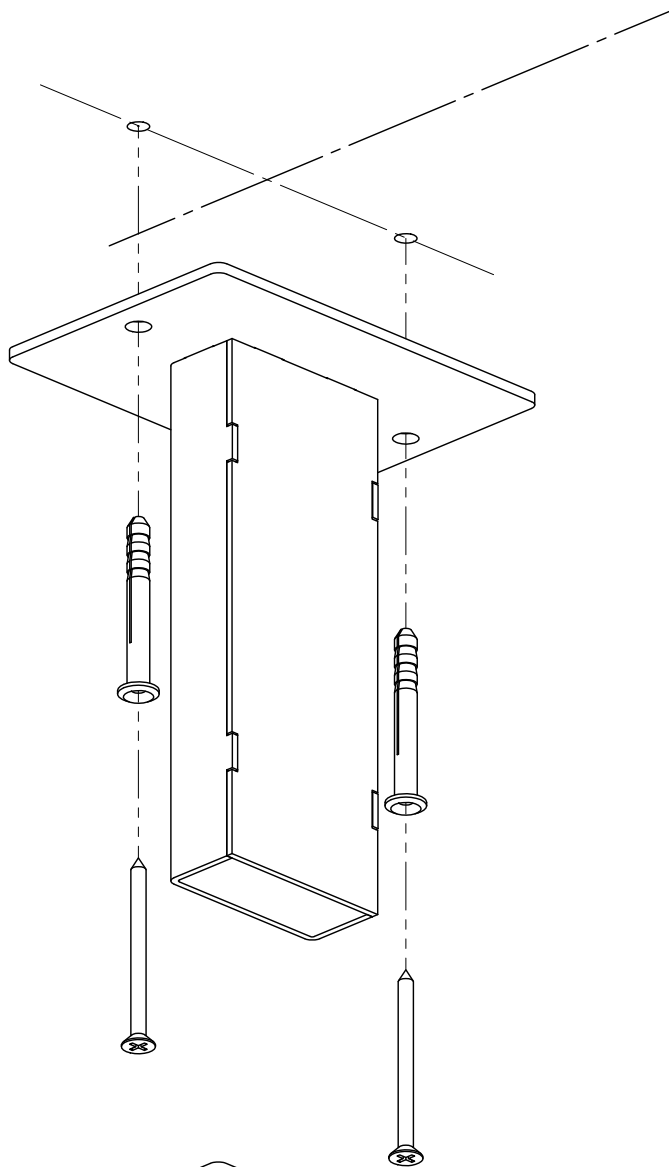
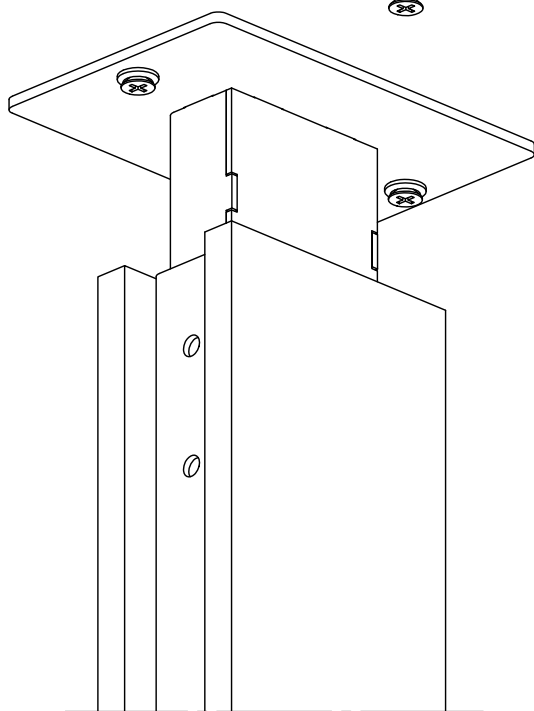


1) Mark the line(s) of the partition on the ceiling and/or floor.

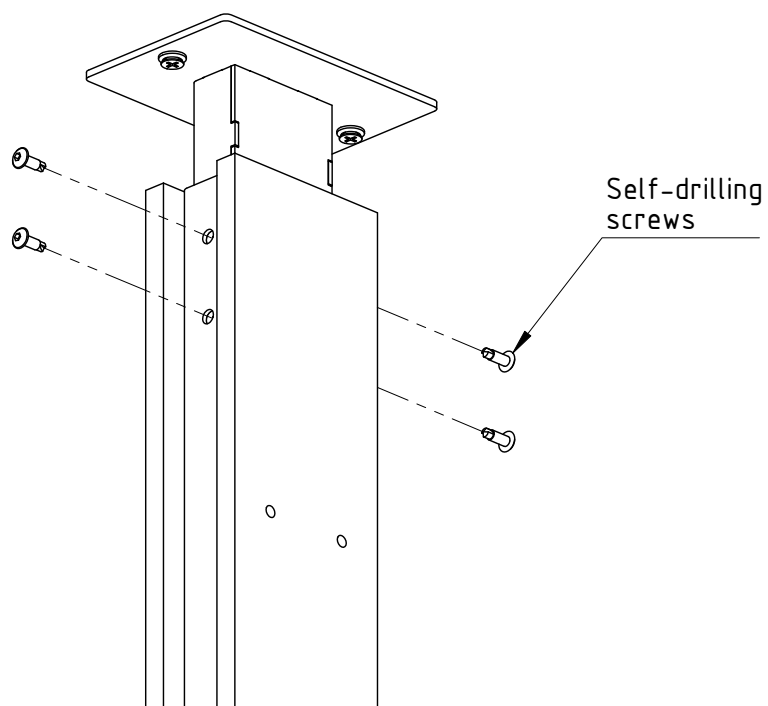
2) Place the first vertical rail in its position. Ensure to use vertical rail marked "E" (end rail).



3) Drill holes in the ceiling by following the hole pattern of the Top support - use the corresponding Top support as template.

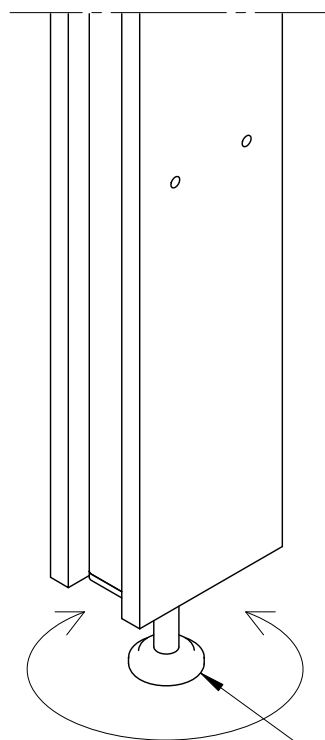


4) Install Top support with supplied dowels and screws. Ensure the rail is in proper vertical position.



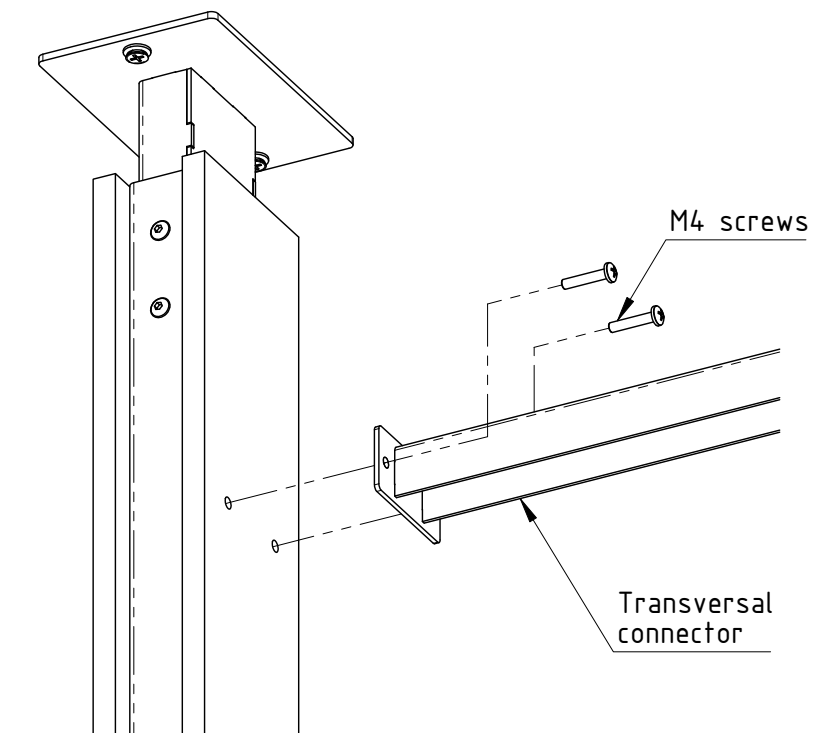
Self-drilling screws

5) Fix the vertical rail to the Top support with supplied self-drilling screws.

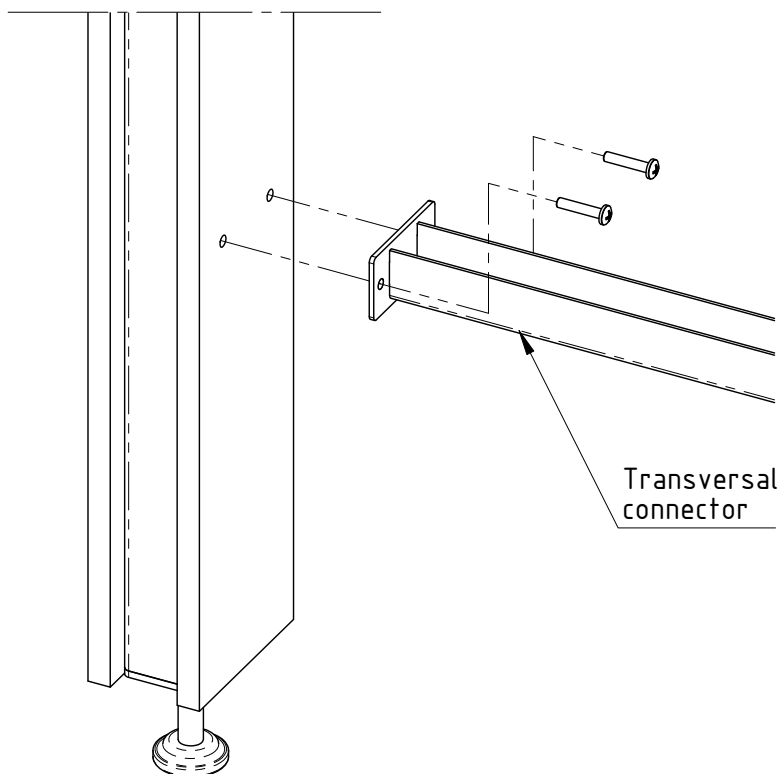


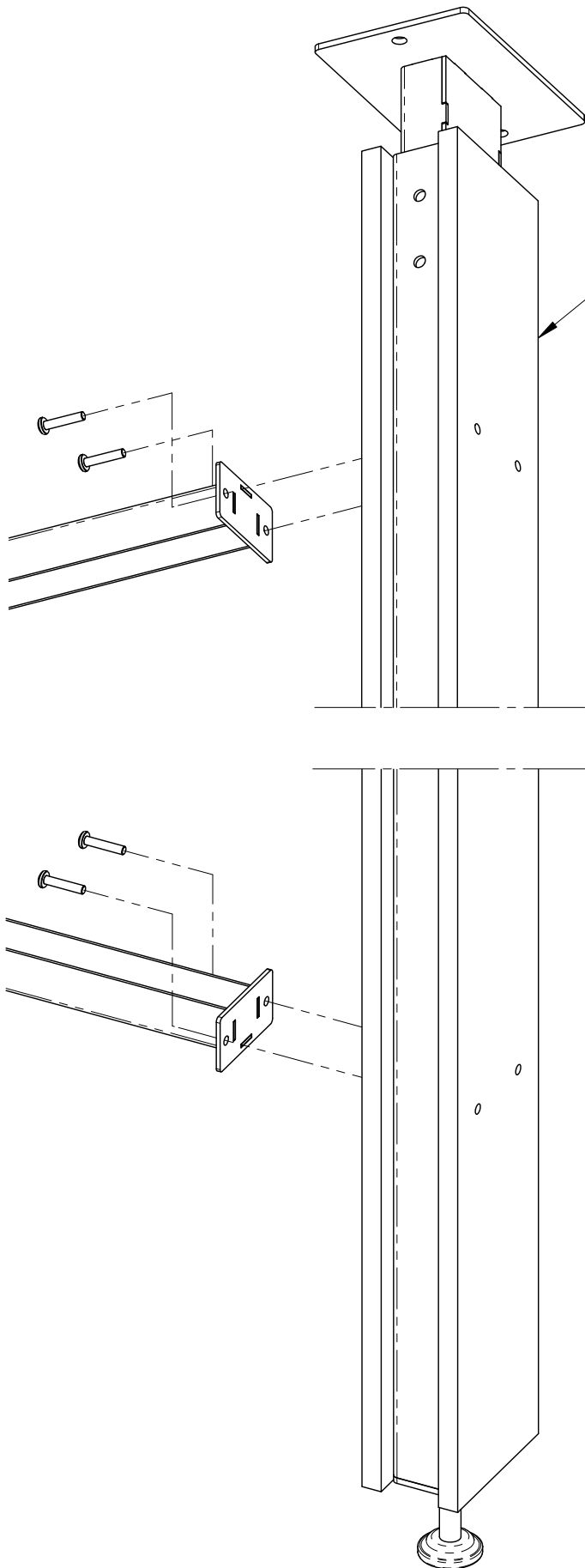
M10 adjustable foot

6) Tighten M10 foot of the Vertical rail so it sits firmly against the floor.



7) Fasten upper and lower transversal connectors to installed vertical rail with supplied screws.





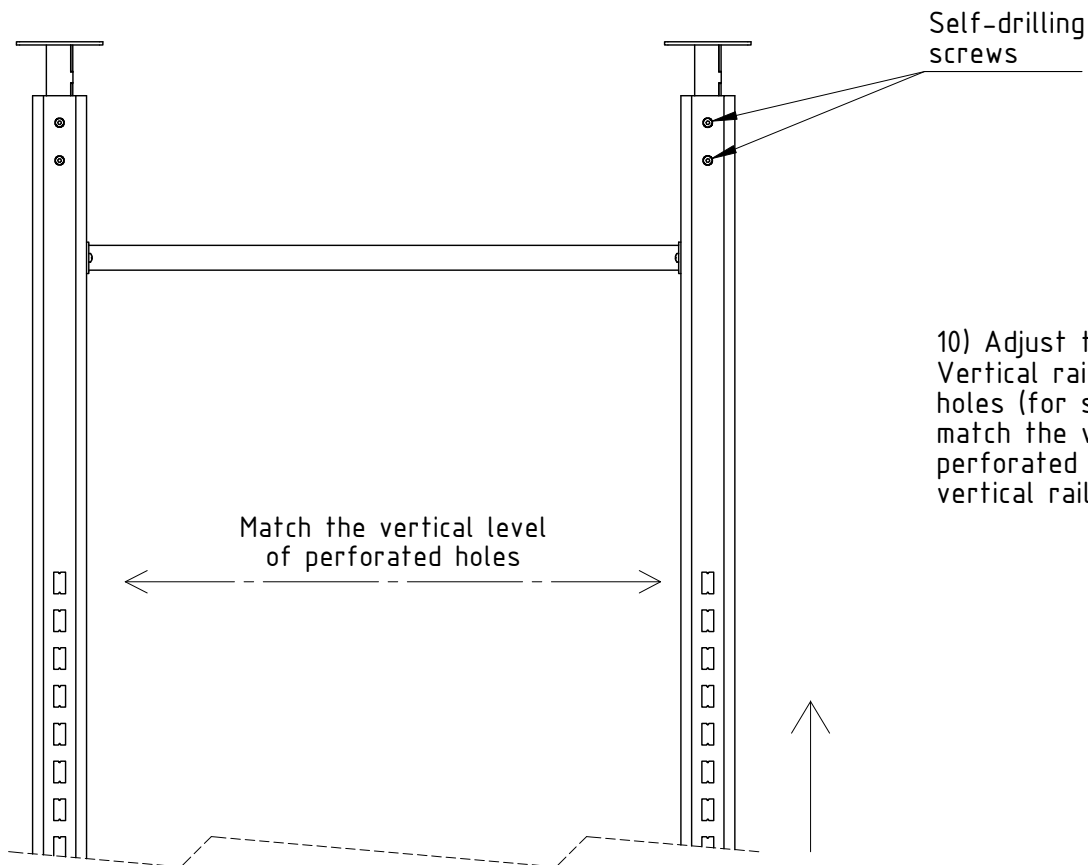
Vertical rail "E" / "M"

8) Place the next vertical rail in its position and fasten other ends of upper and lower transversal connector.

If there are only two vertical rails in total, ensure to use vertical rail marked "E" (end rail).

If there are three or more vertical rails in total, ensure to use vertical rail marked "M" (middle rail).

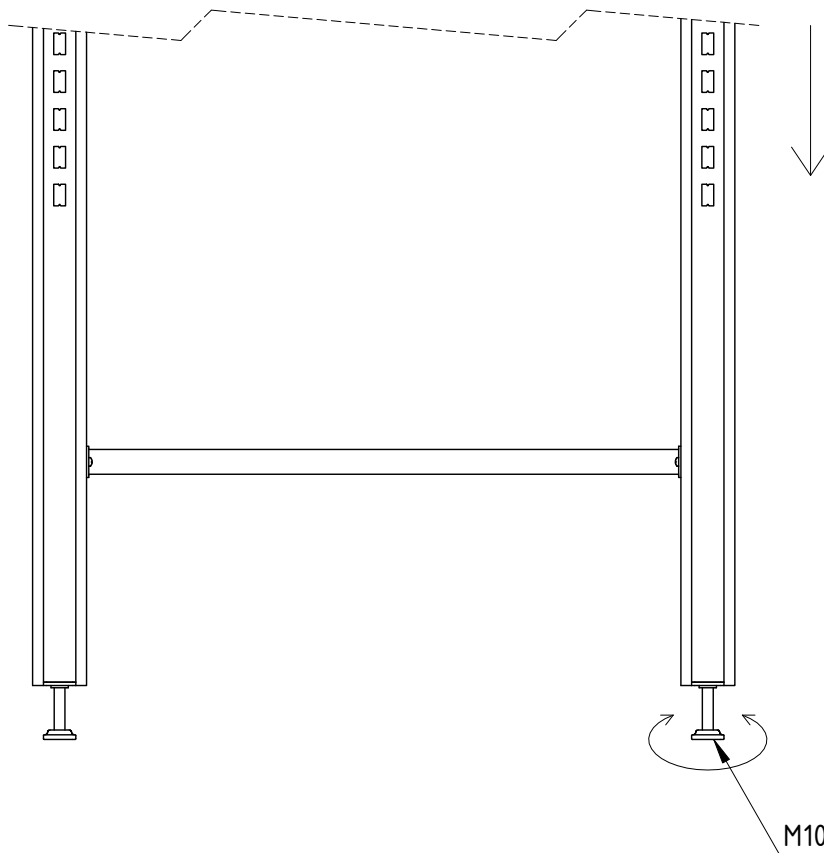
9) Follow steps 3 and 4 to install the Top support for the next rail.



Self-drilling screws

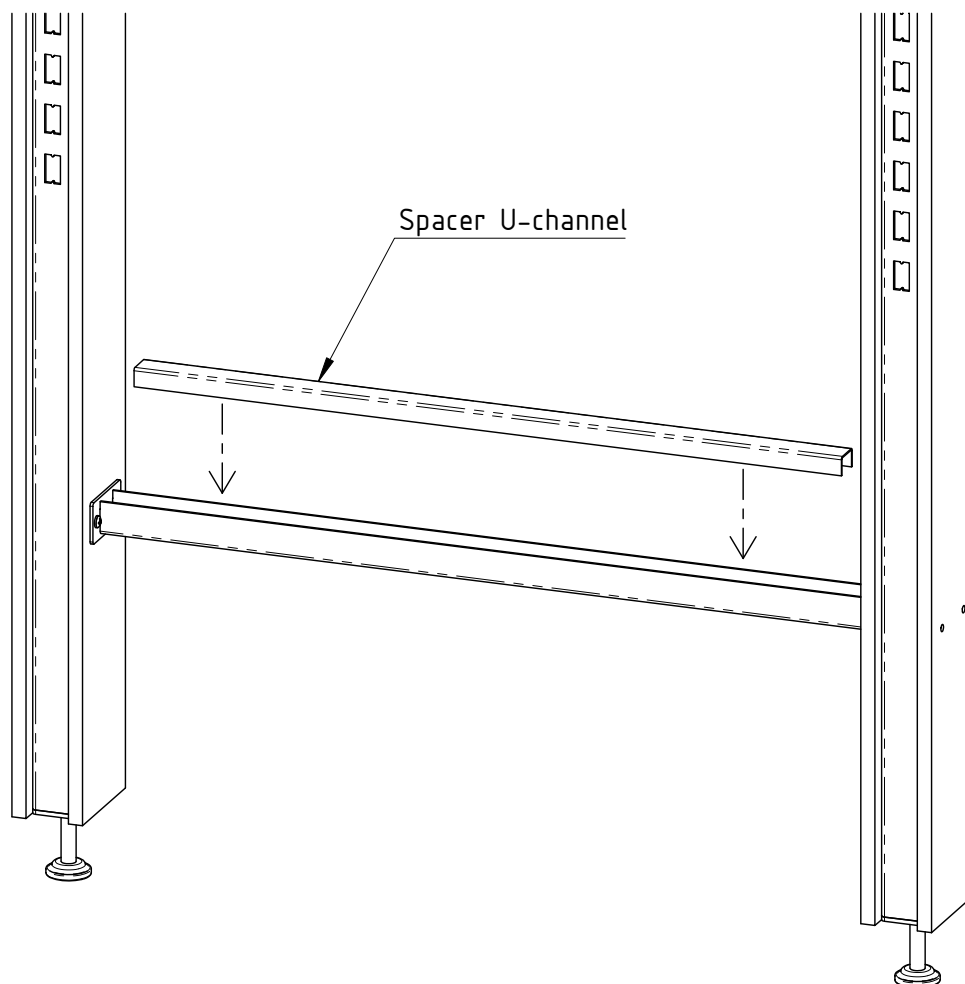
10) Adjust the M10 foot of the Vertical rail so the perforated holes (for shelves attachment) match the vertical level of perforated holes on previous vertical rail.

Match the vertical level of perforated holes

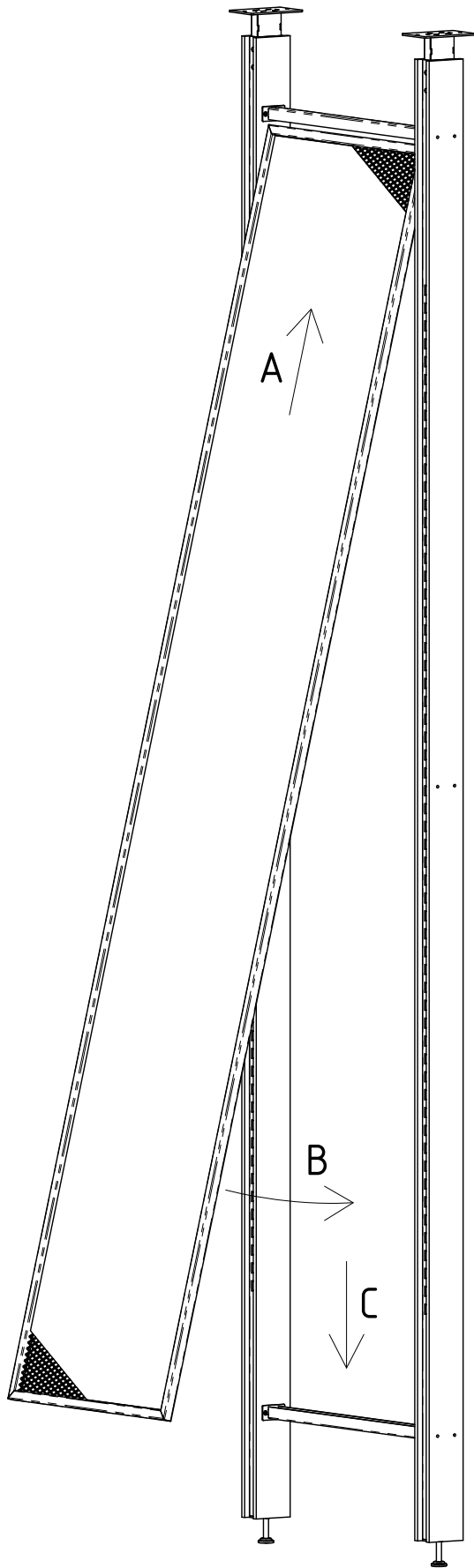


11) Fix the vertical rail to the Top support with supplied self-drilling screws. Then, tighten the M10 foot of the right Vertical rail so it sits firmly against the floor.

M10 adjustable foot



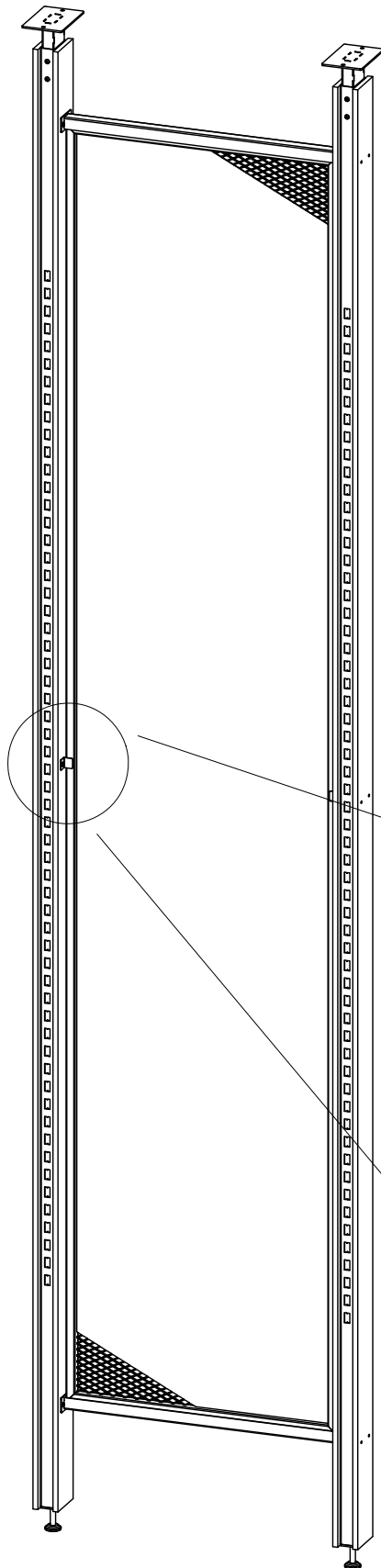
12) Place the Spacer U-channel into the lower transversal connector.



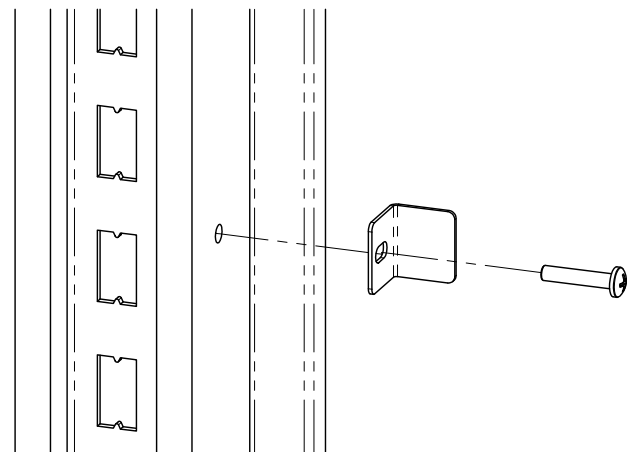
13) **A** - Insert the upper edge of the partition panel into the upper connector channel all the way to the top.

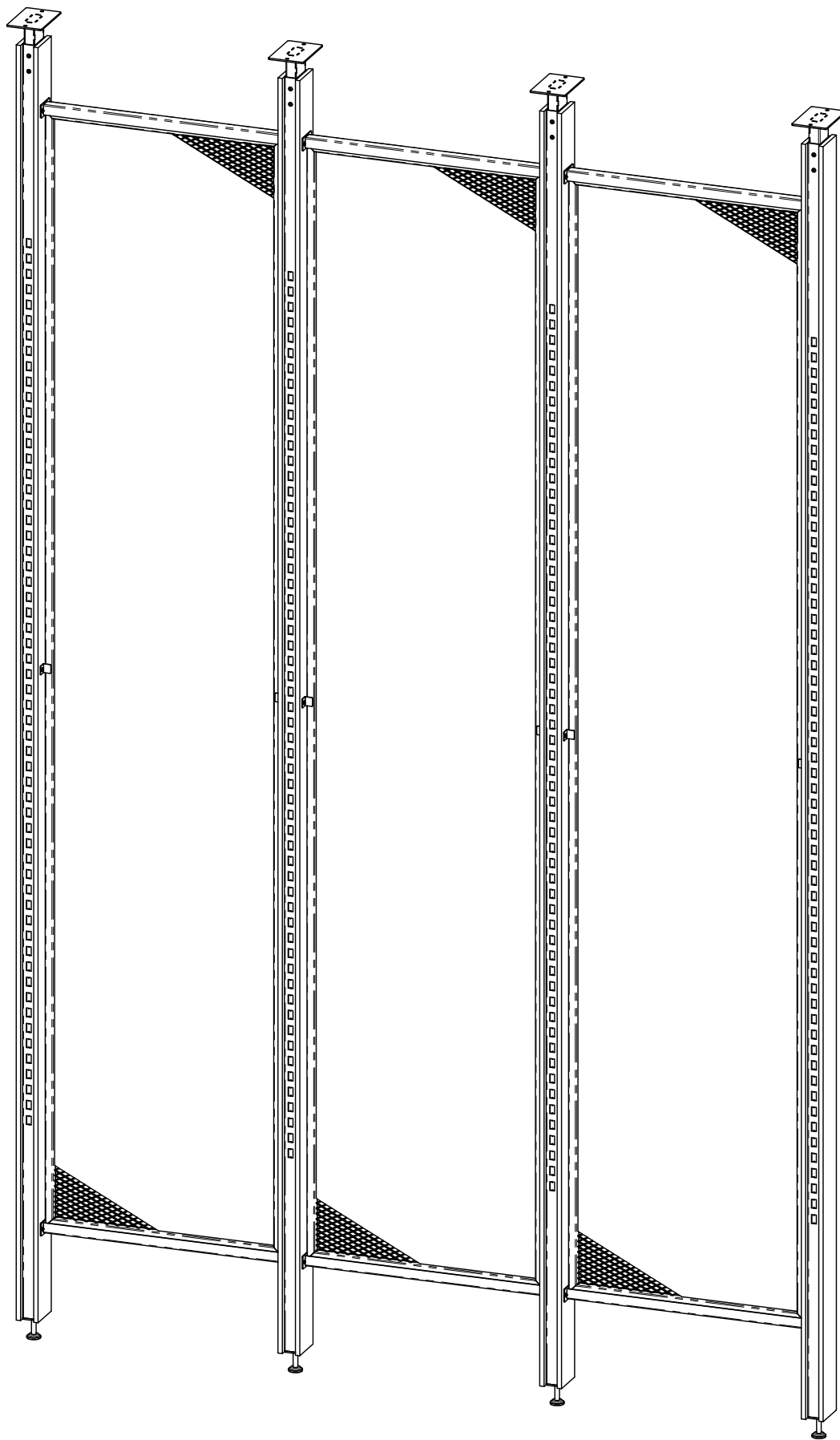
B - rotate the partition panel until vertical, and

C - slide the panel downwards into the lower transversal connector until the lower edge of the partition panel sits on the Spacer U-channel.



14) Install the Intermediate support clips to fix the middle of the partition panel (two on each side of the panel).





15) Repeat steps 7-14 until the entire partition is installed.
Ensure to use last vertical rail marked "E" (end rail).